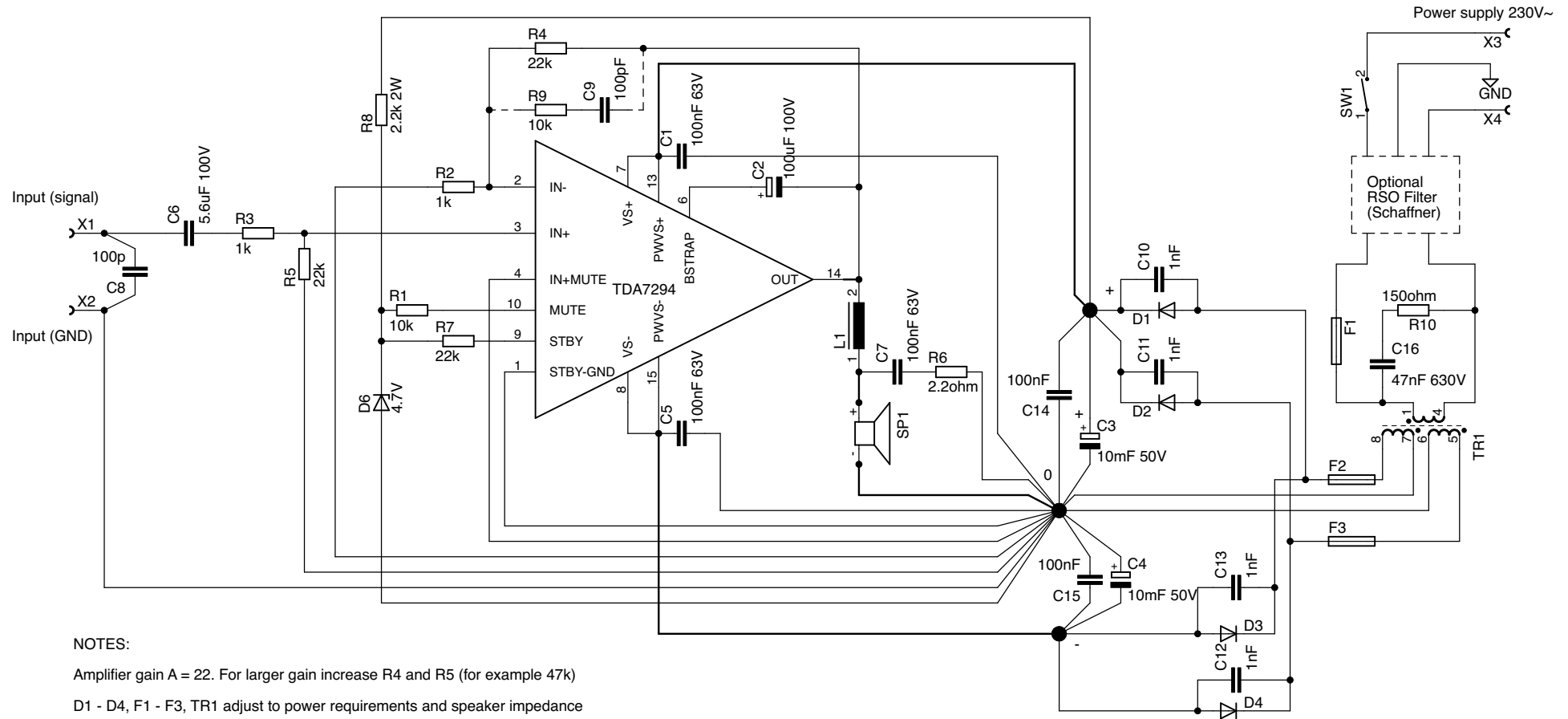


HiFi Audio Amplifier 5Hz - 200Khz - HQ mods for TDA7294



NOTES:

- Amplifier gain $A = 22$. For larger gain increase R4 and R5 (for example 47k)
- D1 - D4, F1 - F3, TR1 adjust to power requirements and speaker impedance
- Recommended maximum supply voltage $\pm 38V$
- L1 10 turns 1mm wire over 10ohm 2W resistor
- R9 and C9 are optional for better stability but decrease frequency response
- C8 solder on input connector
- C10 - C15 ceramic 100V
- 1% metal-film recommended for all resistors

HiFi Audio Amplifier 5Hz - 200Khz - HQ mods for TDA7294

<http://mikikg.wordpress.com/>

TITLE: macola-hq-mods-tda7294

Document Number:

REV:
1.2

Date: 5/22/12 11:56 PM

Sheet: 1/1